



'A Part of your daily life'

UFLEX LIMITED MOLDING DIVISION

PRODUCT SPECIFICATION

Doc. No. : UFL/FR/QA/072

Rev. No. : 00

Rev. Date : 23.07.2021

Product: 5.5mm Flip Top Spout

Material Spout: HDPE

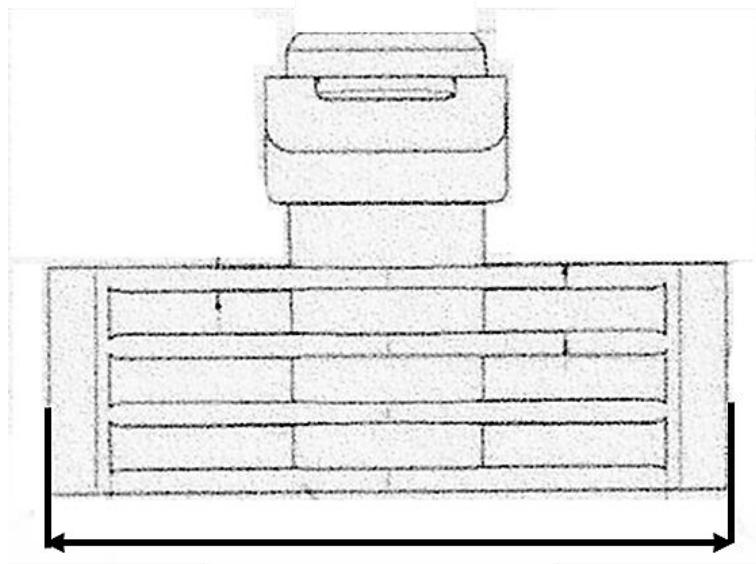
Part Weight Spout: 1.1 ± 0.10gm

Masterbatch %: As per Shade Requirement

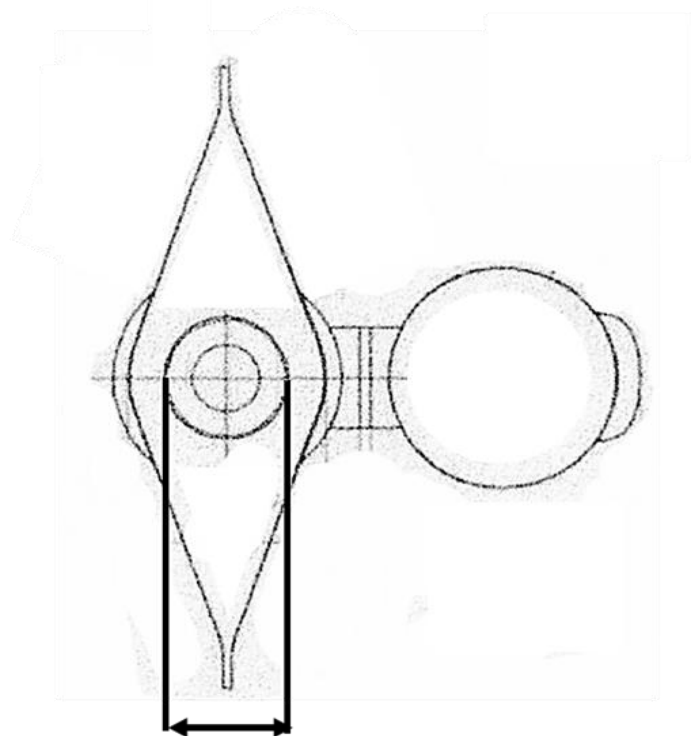
Product Code : FTS-5.5

Product Parameters

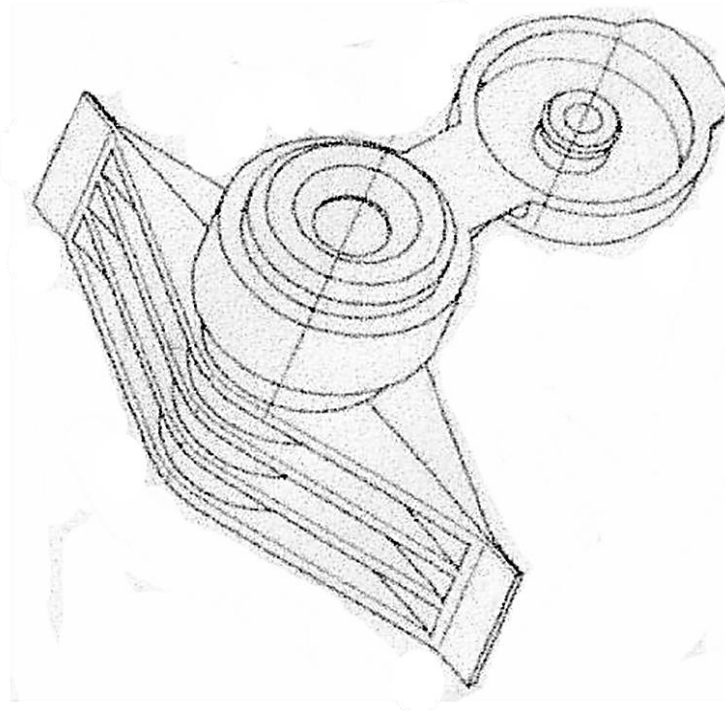
S No.	Test Name	Parameter	Standard
1	Dimension Analysis	Spout I.D (Bottom)	Ø5.5 ±0.20mm
		Spout Width	28 ± 0.25 mm
2	Hinge Endurance Test	200 times Flip Backward & Forward No Twisting, Stretching and Rapid Flipping of Lid	No Crack on Hinge
3	Leakage Test	Product dipped in water (Flip Side) and 250mbar of Air pressure applied at the open end with a nozzle for 10 secs	No air leakage
4	Packing	-	As per requirement



$28 \pm 0.25\text{mm}$



$\text{Ø}5.5 \pm 0.20\text{mm}$



I.D 5.5mm Flip Top Spout