



**UFLEX LIMITED
MOLDING DIVISION**

Doc. No. : UFL/FR/QA/074

Rev. No. : 00

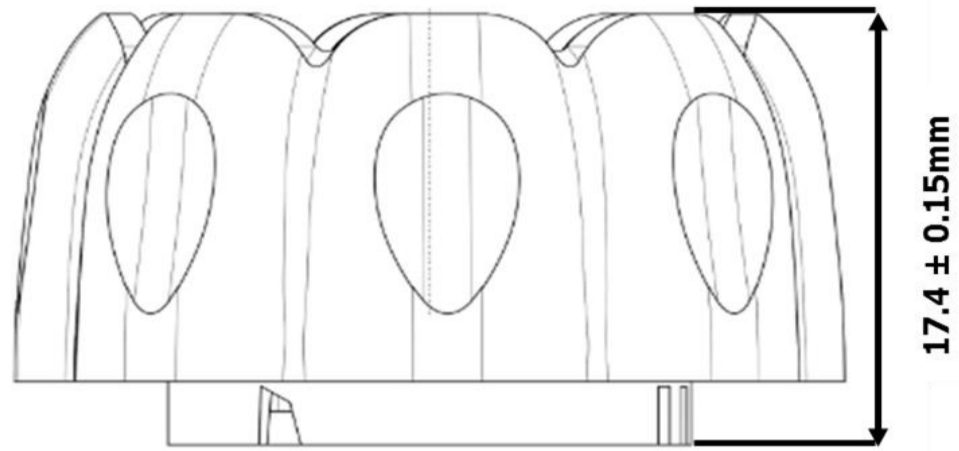
Rev. Date : 23.07.2021

PRODUCT SPECIFICATION

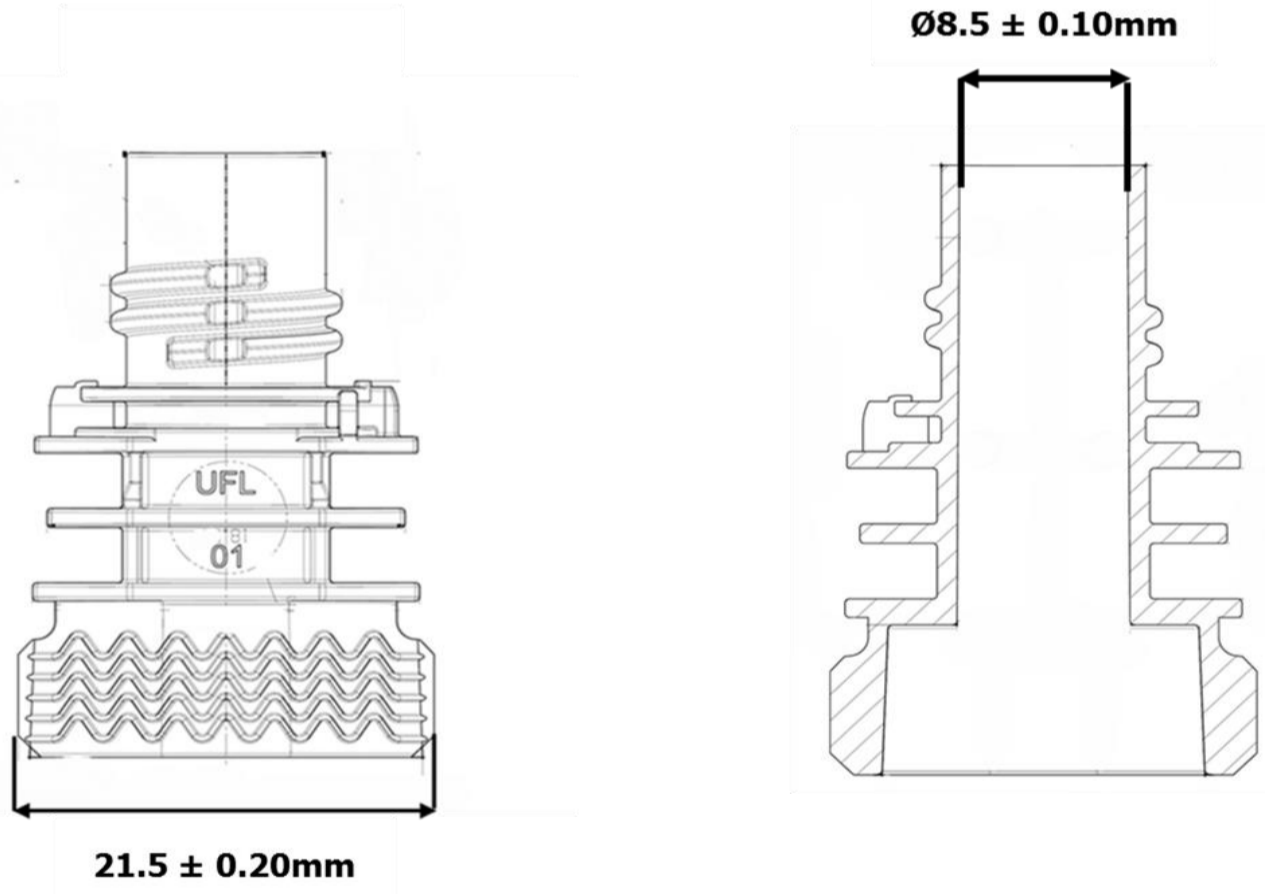
Product: 8.5mm Mushroom Cap & Double Channel Spout	Material Cap: PPCP
Part Weight Cap: 2.4 ± 0.20gm	Material Spout: HDPE
Part Weight Spout: 1.7 ± 0.15gm	Masterbatch %: As per Shade Requirement
Product Code Cap: CAPM-8.5	
Product Code Spout: SPDC-8.5	
Product Code Spout: ASDC-8.5	

Product Parameters

S No.	Test Name	Parameter	Standard
1	Cap Dimension Analysis	Cap Height	17.4 ± 0.15mm
2	Spout Dimension Analysis	Spout Width	21.5 ± 0.20mm
		Inner Diameter	Ø8.5 ±0.10mm
3	Tamper Evident Test (For Cap)	Tamper ring should Break	-
4	Leakage Test	Inspection Pressure: 0.25bar Inspection Pressure Tolerance: 0.05bar Filling time: 3 sec Stabilization Time: 3 sec Test time: 3 sec	Pressure Decay upto 70pa allowed
5	Packing	-	As per requirement



Mushroom Cap 8.5mm



Double Channel Spout I.D 8.5mm