



**UFLEX LIMITED
MOLDING DIVISION**

Doc. No. : UFL/FR/QA/073

Rev. No. : 00

Rev. Date : 23.07.2021

PRODUCT SPECIFICATION

Product: 8.5mm Conical Cap & Double Channel Spout

Material Cap: PPCP

Part Weight Cap: 1.1 ± 0.20gm

Material Spout: HDPE

Part Weight Spout: 1.7 ± 0.15gm

Masterbatch %: As per Shade Requirement

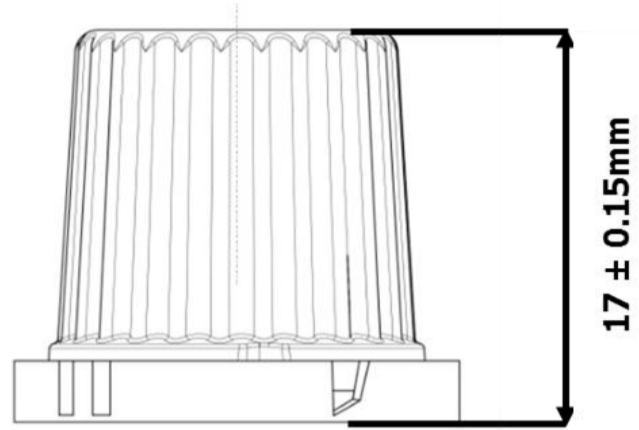
Product Code Cap: CAPX-8.5

Product Code Spout: SPDC-8.5

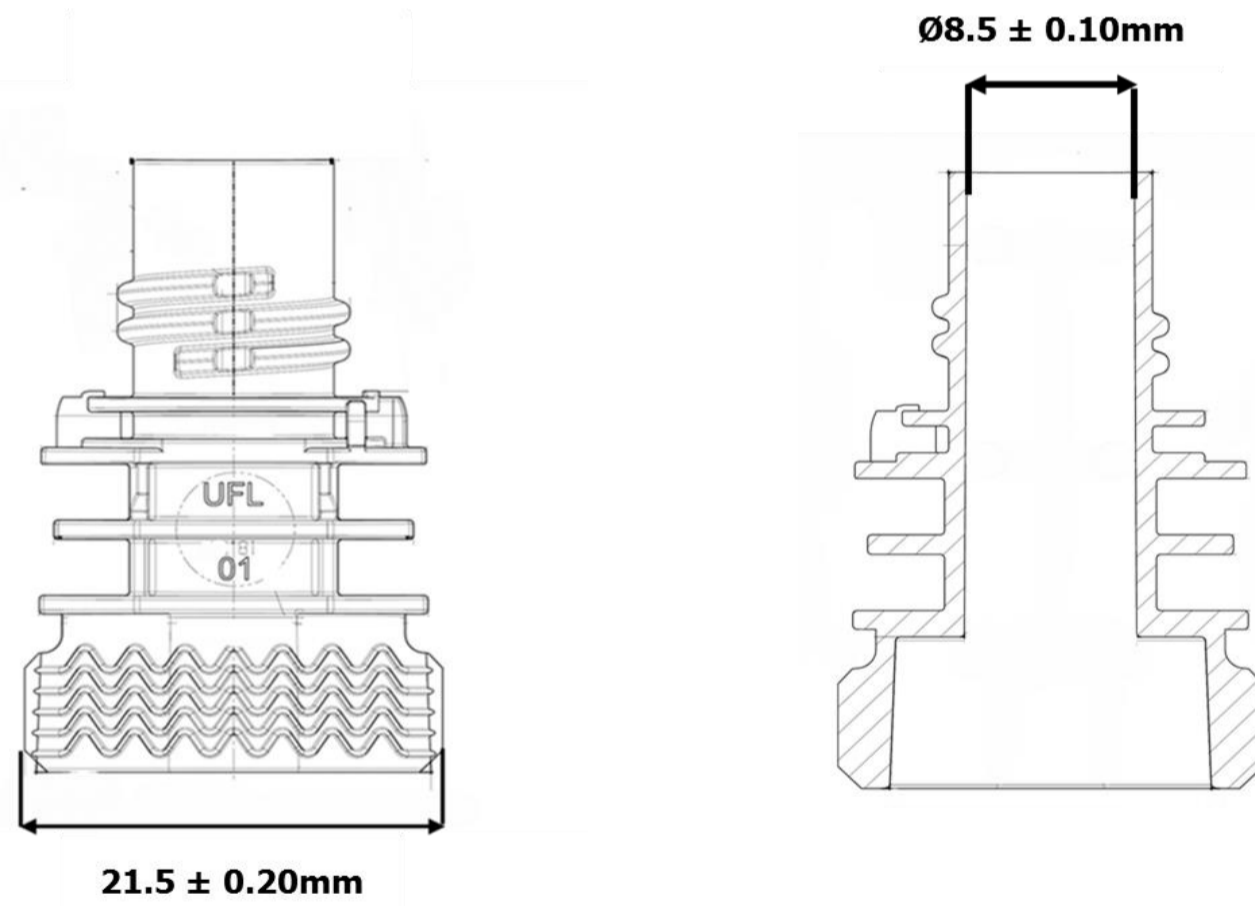
Product Code Assembled Cap and Spout: AXDC-8.5

Product Parameters

| S No. | Test Name | Parameter | Standard |
|-------|--------------------------------|--|----------------------------------|
| 1 | Cap Dimension Analysis | Cap Height | 17 ± 0.15mm |
| 2 | Spout Dimension Analysis | Spout Width | 21.5 ± 0.20mm |
| | | Inner Diameter | Ø8.5 ± 0.10mm |
| 3 | Tamper Evident Test (For Cap) | Tamper ring should Break | - |
| 4 | Leakage Test | Inspection Pressure: 0.25bar Inspection Pressure Tolerance: 0.05bar Filling time: 3 sec Stabilization Time: 3 sec Test time: 3 sec | Pressure Decay upto 70pa allowed |
| 5 | Packing | - | As per requirement |



Conical Cap 8.5mm



Double Channel Spout I.D 8.5mm